



WE MAKE IT EASY

Industrial laser marking machine designed by our motto "Easy to code"

What is INFINI?

Our brand has built trust for a long time among wide range of clients. Our prolonged experience and expertise in laser marking industry will bring out the best marking solution to support our partners and fulfill their economic values.

Software Upgrade

INFINI software provides functions that can process various types of drawings and designs. Enhanced communication control will enable to construct a smart factory





Our Main Achievement

The double structure of interlock and emergency stop system is designed to provide an efficient solution for safety. System status can be easily identified by observing the status LED.

Certifications are acquired and complies to the safety standards of electronic device and electromagnetic waves.

CE FC NRTL

Advantages of INFINI CO₂ Laser

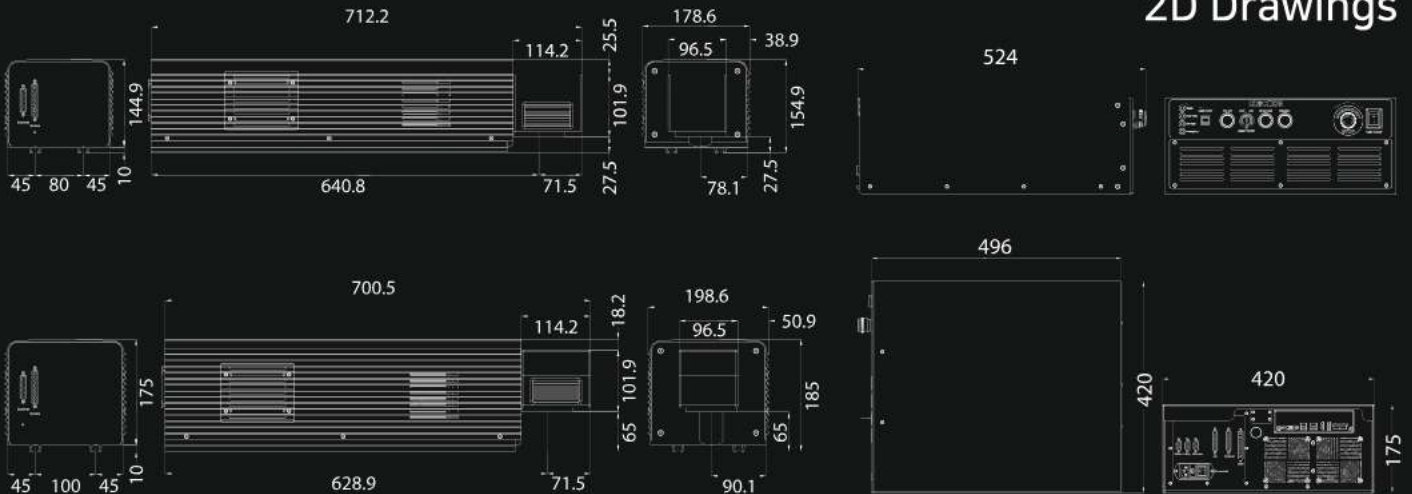
-  Improved UI graphics
Easy to edit many types of data
-  Various port function supported
-  Simple operation with buttons
-  Easy maintenance
No consumable replacements



Specification

Model No		CO ₂ Laser (Class 4)			
		C310	C330	C331	C332
Average output power		10W	30W	20W	25W
Main power supply		100~240VAC, 50/60Hz, 3A			
Guide beam for marking		<1mW (λ = 655nm±5)			
Wavelength	Standard	λ = 10.6μm	λ = 10.6μm	λ = 9.3μm	λ = 10.2μm
Scanner	Standard	2m/s			
	Options	3m/s			
Lens	Standard	110*110mm			
	Options	50*50, 70*70, 175*175, 210*210, 300*300mm			
Environmental condition	Temperature	15~40°C			
	Humidity	10~80%			
Weight	Head	12.8kg	16.4kg		
	Controller	15kg			
Size	Head	179*712*155mm	199*701*185mm		
	Controller	420x496x175mm			

2D Drawings



Taechu Engineering CO., LTD.

1 Deokjeolchangmal-gil, Jeongnam-myeon, Hwaseong-si, Gyeonggi-do FAX. 031-359-9602

